

POWERBOSS®

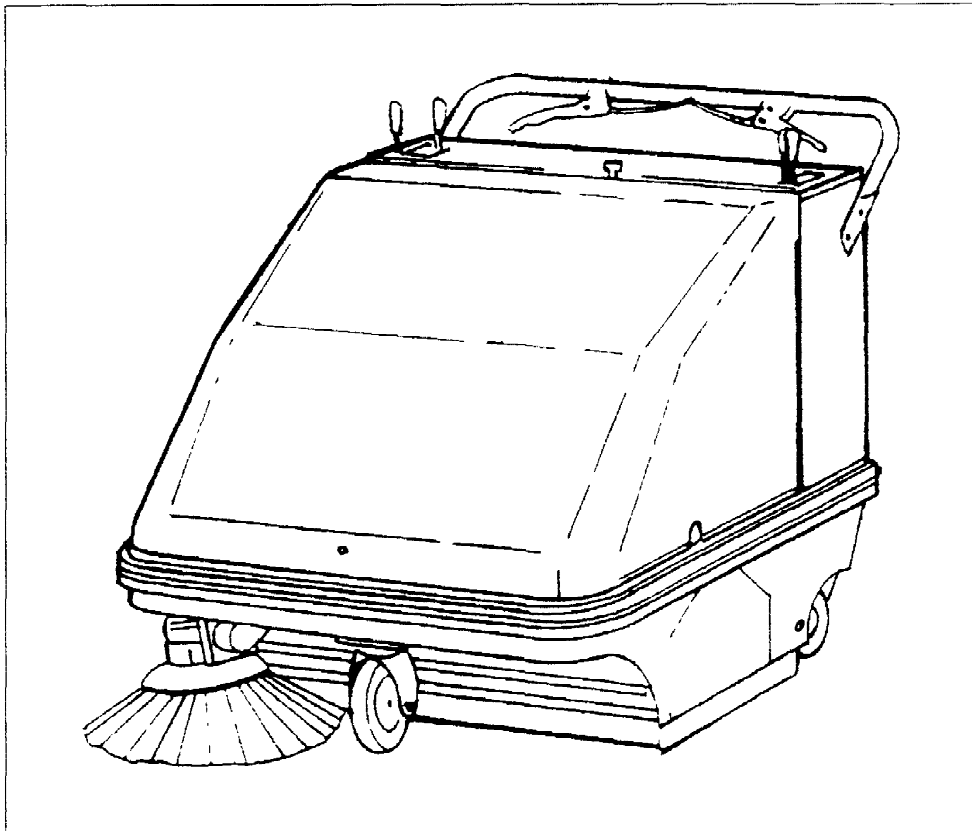


PROWLER

Parts Manual



MODEL WS 35



 **AAR POWERBOSS**

*P.O. Box 1227 Anderson & Taylor Streets
Aberdeen, NC 28315-1227 USA
(910) 944 - 2105 FAX: (910) 944-7409*

WS 35

DIAGRAM 1

WS 35

96/10/10

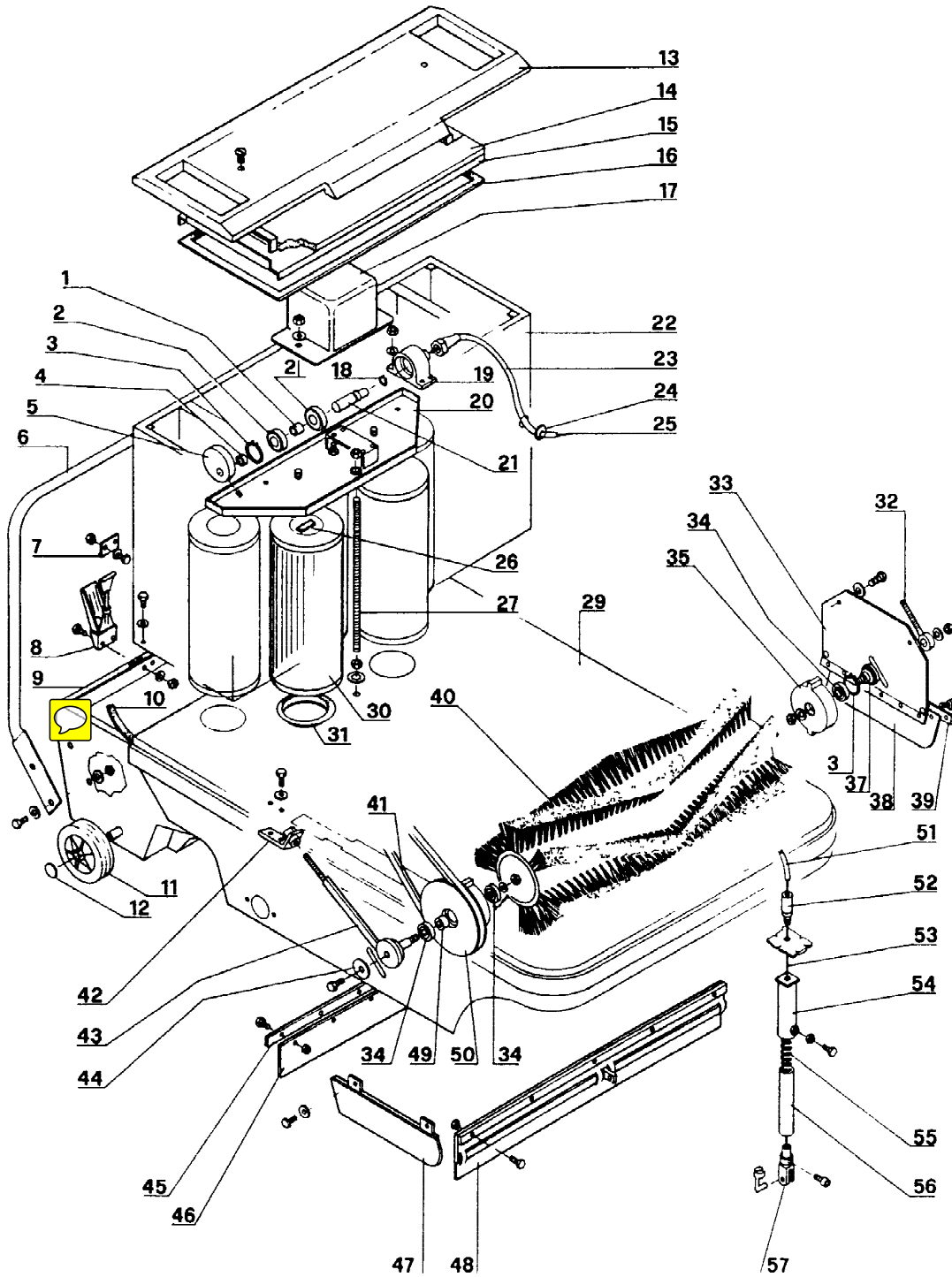


DIAGRAM 1

WS35

96/10/10

| Ref # | Part # | Description | Briggs & Stratton Qty | Electric Qty |
|-------|---------|------------------------------|-----------------------|--------------|
| 1 | 1000376 | Spacer | 1 | 1 |
| 2 | 1000783 | Bearing | 3 | 3 |
| 3 | 1001201 | Retainer - Snap Ring | 3 | 3 |
| 4 | 1000377 | Spacer | 1 | 1 |
| 5 | 1000494 | Eccentric Weight | 1 | 1 |
| 6 | 1000361 | Handle - Hopper | 1 | 1 |
| 7 | 1001015 | Keeper - Overcenter Latch | 1 | 1 |
| 8 | 1001014 | Latch - Over Center | 1 | 1 |
| 9 | 1000203 | Hopper - Debris | 1 | 1 |
| 10 | 1000760 | Seal - Hopper | 1 | 1 |
| 11 | 1000844 | Wheel | 2 | 2 |
| 12 | 1001044 | End Cap | 2 | 2 |
| 13 | 1000649 | Cover - Filter, Grey | - | - |
| 14 | 1000759 | Foam Layer | 1 | 1 |
| 15 | 1000186 | Lid - Filter Box | 1 | 1 |
| 16 | 1000758 | Seal - Filter Box | 1 | 1 |
| 17 | 1000610 | Cover | 1 | 1 |
| 18 | 1001202 | Retainer - Snap Ring | 1 | 1 |
| 19 | 1000566 | Bearing Block | 1 | 1 |
| 20 | 1000185 | Cover | 1 | 1 |
| 21 | 1000541 | Shaft | 1 | 1 |
| 22 | 1000201 | Filters Case | 1 | 1 |
| 23 | 1001020 | Drive - Flexible PTO | 1 | 1 |
| 24 | 1000668 | Grommet | 1 | 1 |
| 25 | 1001019 | Flexible Transmission | 1 | 1 |
| 26 | 1000743 | Gasket | 5 | 5 |
| 27 | 1000067 | Threaded Rod | 3 | 3 |
| 29 | 1000316 | Main Frame | 1 | 1 |
| 30 | 1000915 | Filter - Dust Control | 5 | 5 |
| 31 | 1000732 | Gasket - Filter | 5 | 5 |
| 32 | 1000535 | Adjuster - Main Broom | 1 | 1 |
| 33 | 1000319 | End Cover - Broom Chamber | 1 | 1 |
| 34 | 1000786 | Bearing | 3 | 3 |
| 35 | 1000572 | Idler | 1 | 1 |
| 36 | 1001201 | Retainer - Snap Ring | 3 | 3 |
| 37 | 1000514 | Shaft - Main Broom Idler | 1 | 1 |
| 38 | 1000716 | Flap - Main Broom Left | 1 | 1 |
| 39 | 1000065 | Strap - Main Broom Flap | 1 | 1 |
| 40 | 1000918 | Main Brush | 1 | 1 |
| 41 | 1000824 | Belt | 1 | 1 |
| 42 | 1000321 | Adjuster | 1 | 1 |
| 43 | 1000322 | Shaft | 1 | 1 |
| 44 | 1001195 | Washer | 1 | 1 |
| 45 | 1000017 | Strap - Rear Flap | 1 | 1 |
| 46 | 1000712 | Flap - Main Broom Rear | 1 | 1 |
| 47 | 1000727 | Flap - Main Broom Right Side | 1 | 1 |
| 48 | 1000730 | Flap - Front Debris Door | 1 | 1 |
| 49 | 1000400 | Spacer | 1 | 1 |
| 50 | 1000573 | Driver - Main Broom | 1 | 1 |

DIAGRAM 1

WS 35

96/10/10

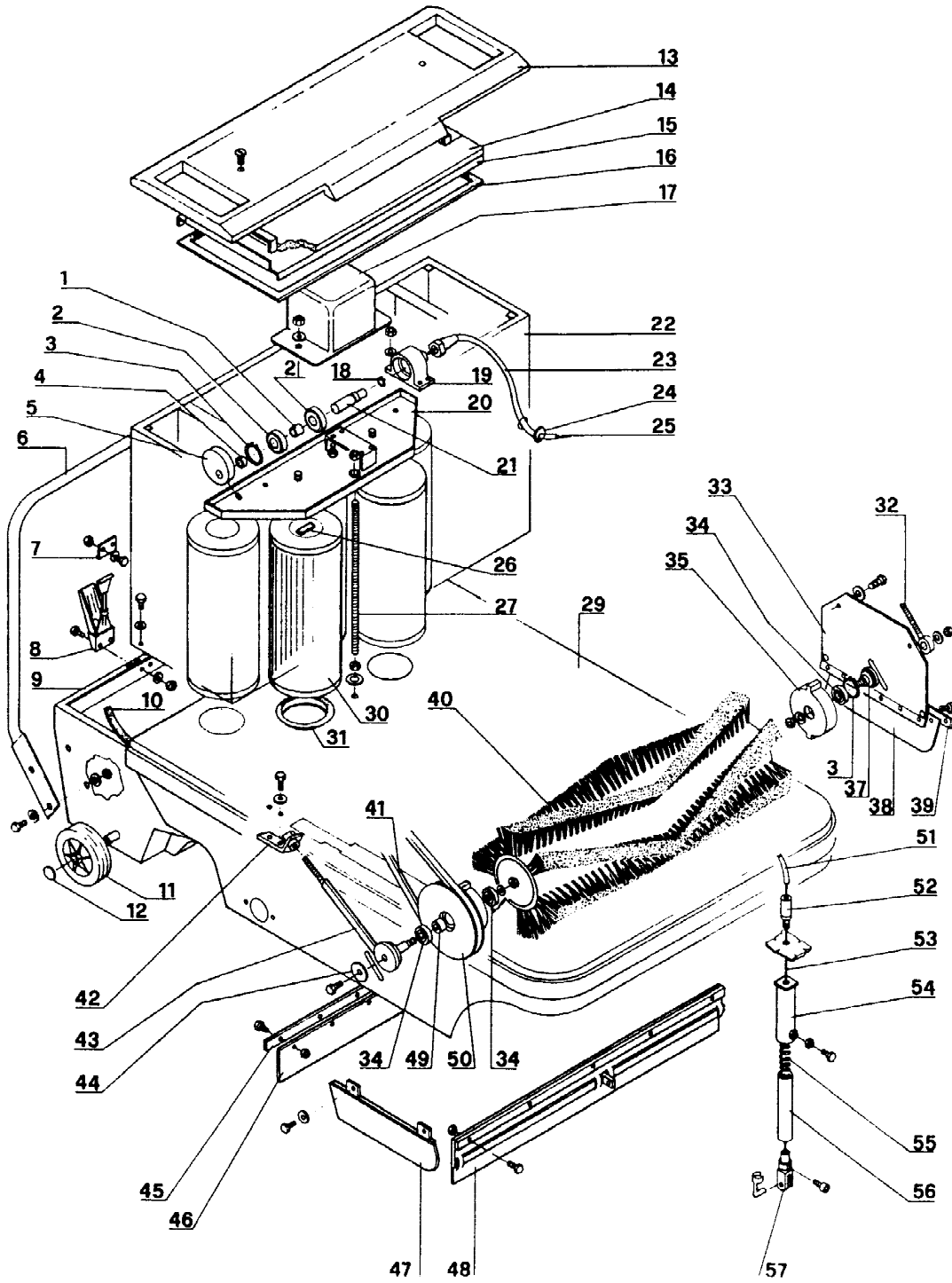


DIAGRAM 1**WS35**

96/10/10

| | | | | |
|----|---------|-------------------|---|---|
| 51 | 1000993 | Sheath | 1 | 1 |
| 52 | 1000202 | Adjuster | 1 | 1 |
| 53 | 1000982 | Wire - Flex Cable | 1 | 1 |
| 54 | 1000184 | Guide - Spring | 1 | 1 |
| 55 | 1000954 | Spring | 1 | 1 |
| 56 | 1000320 | Guide - Spring | 1 | 1 |
| 57 | 1000323 | Clevis | 1 | 1 |

DIAGRAM 2

WS 35

97/2/24

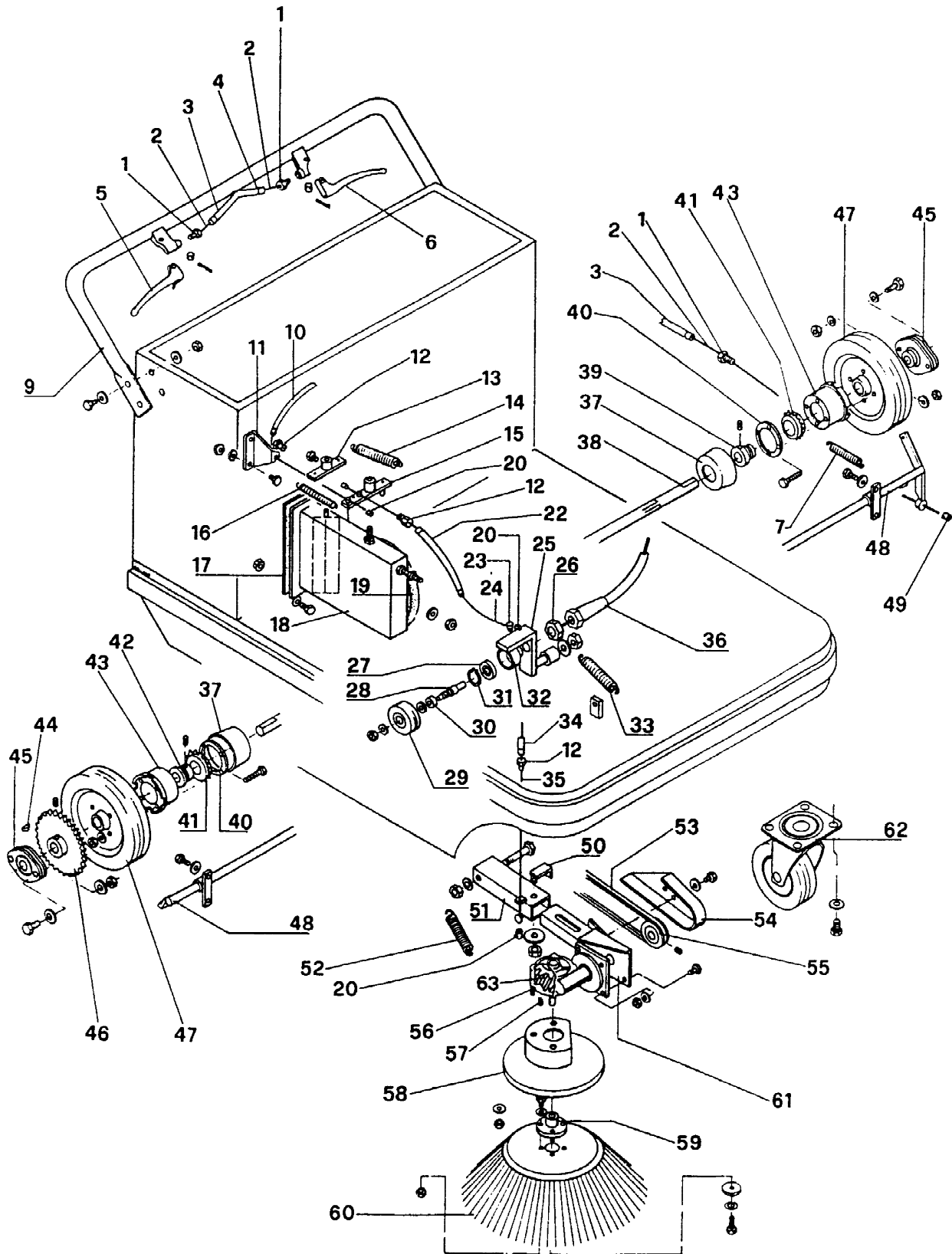


DIAGRAM 2

WS35

96/10/10

| Ref # | Part # | Description | Briggs & Stratton Qty | Electric Qty |
|-------|---------|----------------------|-----------------------|--------------|
| 1 | 1001003 | Adjuster | 4 | 4 |
| 2 | 1001000 | Wire - Flex Cable | 2 | 2 |
| 3 | 1000995 | Sheath | 1 | 1 |
| 4 | 1000994 | Sheath | 1 | 1 |
| 5 | 1000977 | Brake Control Lever | 1 | 1 |
| 6 | 1000978 | Motion Control Lever | 1 | 1 |
| 7 | 1000943 | Spring | 2 | 2 |
| 9 | 1000368 | Handle | 1 | 1 |
| 10 | 1000996 | Sheath | 1 | 1 |
| 11 | 1000068 | Support | 1 | 1 |
| 12 | 1001002 | Adjuster | 4 | 3 |
| 13 | 1000276 | Lever | 1 | 1 |
| 14 | 1000941 | Spring | 1 | 1 |
| 15 | 1000324 | Plate | 1 | 1 |
| 16 | 1000942 | Spring | 1 | 1 |
| 17 | 1000709 | Gasket | 1 | 1 |
| 18 | 1000611 | Housing | 1 | 1 |
| 19 | 1000710 | Washer | 1 | 1 |
| 20 | 1000988 | Clamp - Adjuster | 4 | 3 |
| 22 | 1000997 | Sheath | 1 | 1 |
| 23 | 1000987 | Ratchet | 2 | 2 |
| 24 | 1000984 | Cable Wire | 1 | 1 |
| 25 | 1000124 | Assy - Wheel Bracket | 1 | 1 |
| 26 | 1001183 | Nut | 1 | 1 |
| 27 | 1000783 | Bearing | 3 | 3 |
| 28 | 1000542 | Shaft | 1 | 1 |
| 29 | 1000836 | Wheel | 1 | 1 |
| 30 | 1000377 | Spacer | 1 | 1 |
| 31 | 1001201 | Retainer - Snap Ring | 3 | 3 |
| 32 | 1000378 | Support | 1 | 1 |
| 33 | 1000939 | Spring | 2 | 2 |
| 34 | 1000998 | Sheath | 1 | 1 |
| 35 | 1000982 | Wire - Flex Cable | 1 | 1 |
| 36 | 1001020 | Drive - Flexible PTO | 1 | 1 |
| 37 | 1000655 | Dust - Casing | 2 | 2 |
| 38 | 1000517 | Shaft | 1 | 1 |
| 39 | 1000483 | Free Wheel Hub | 1 | 1 |
| 40 | 1000064 | Free Wheel Flange | 2 | 2 |
| 41 | 1000852 | Free Wheel | 2 | 2 |
| 42 | 1000482 | Free Wheel Hub | 1 | 1 |
| 43 | 1000654 | Free Wheel Flange | 2 | 2 |
| 44 | 1001225 | Key | 1 | 1 |
| 45 | 1000807 | Bearing - Flange | 4 | 4 |
| 46 | 1000558 | Ring Gear | 1 | 1 |
| 47 | 1000846 | Wheel | 2 | 2 |
| 48 | 1000325 | Brake Arm | 1 | 1 |
| 49 | 1001001 | Clamp - Wire End | 2 | 2 |
| 50 | 1000188 | Bracket | 1 | 1 |
| 51 | 1000189 | Arm - Side Broom | 1 | 1 |

DIAGRAM 2

WS 35

97/2/24

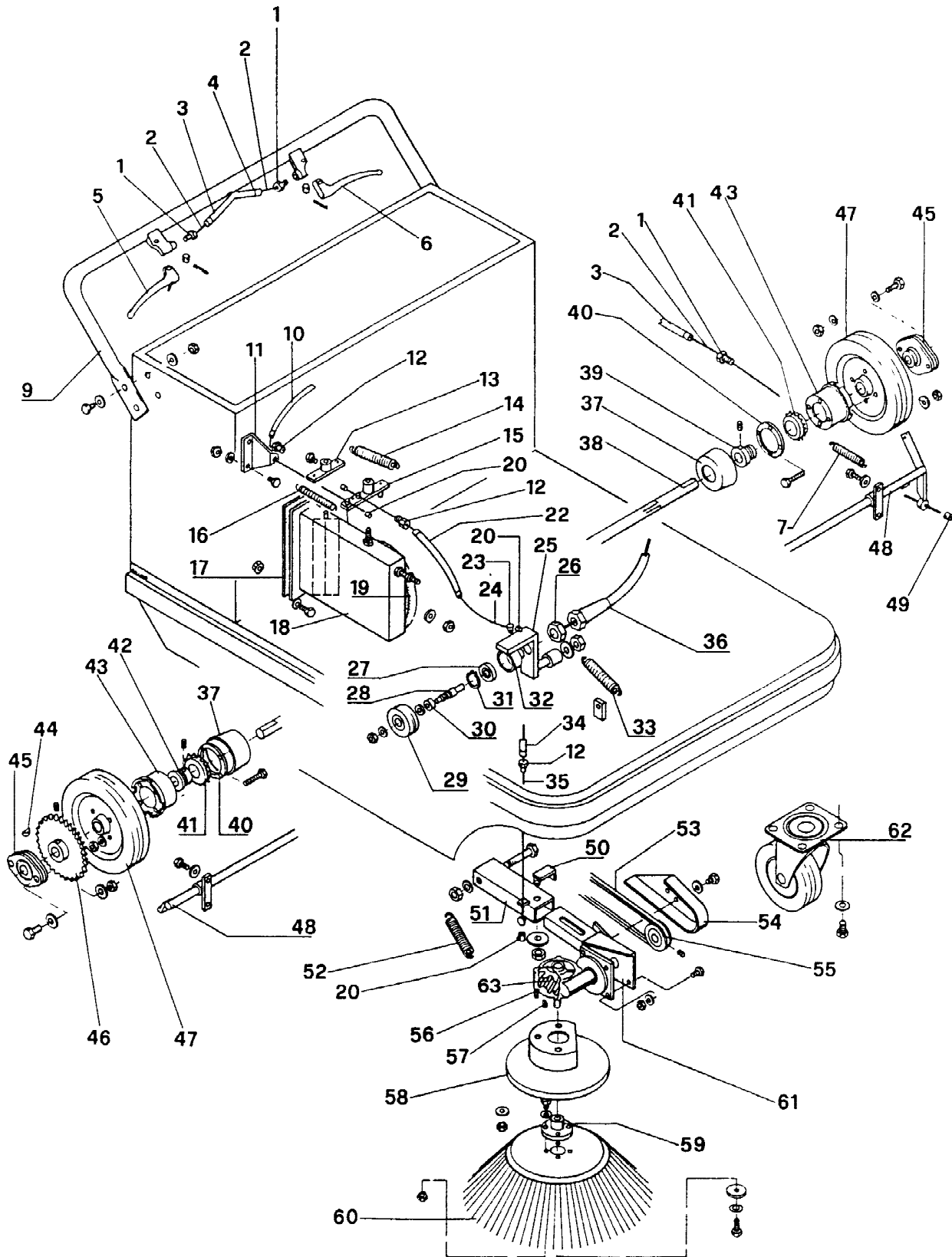


DIAGRAM 2**WS35**

| | | | | |
|----|---------|---------------------|---|---|
| 52 | 1000956 | Spring | 1 | |
| 53 | 1000825 | Belt | 1 | 1 |
| 54 | 1000627 | Cover - Belt | 1 | |
| 55 | 1000579 | Pulley | 1 | 1 |
| 56 | 1000928 | Gear Box | 1 | |
| 57 | 1001230 | Key | 1 | |
| 58 | 1000629 | Shroud - Side Broom | 1 | |
| 59 | 1000653 | Side Brush Flange | 1 | |
| 60 | 1000913 | Side Brush | 1 | 1 |
| 61 | 1000190 | Arm - Side Broom | 1 | 1 |
| 62 | 1000845 | Caster Wheel | 1 | 1 |
| 63 | 1001360 | Reduction gear | 1 | 1 |

DIAGRAM 3

WS 35

96/10/10

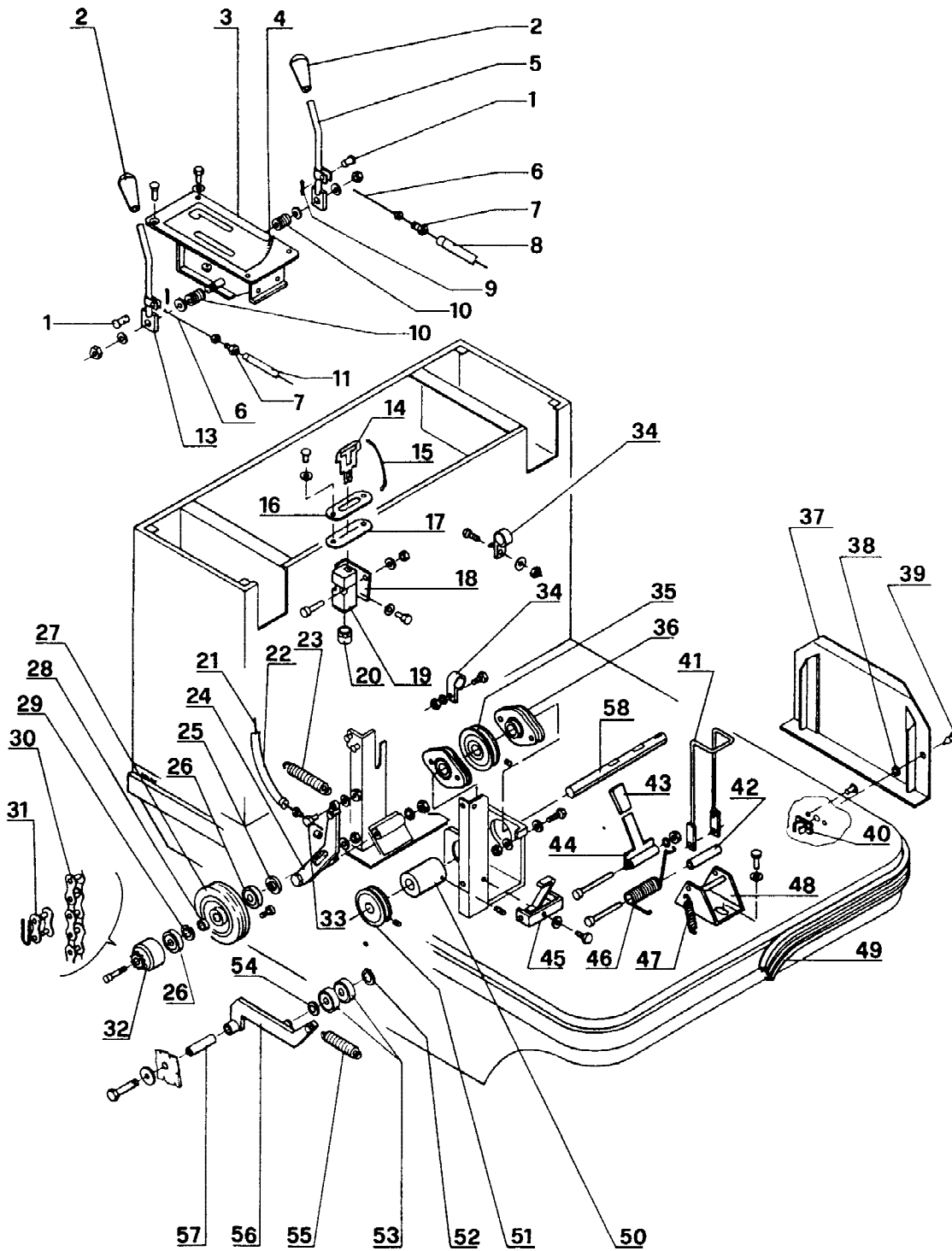


DIAGRAM 3

WS35

96/10/10

| Ref # | Part # | Description | Briggs & Stratton Qty | Electric Qty |
|-------|---------|-------------------------------|-----------------------|--------------|
| 1 | 1000493 | Pin | 4 | 3 |
| 2 | 1000693 | Handle | 4 | 3 |
| 3 | 1000192 | Instruments Panel | 1 | 1 |
| 4 | 1000897 | Decal | 1 | 1 |
| 5 | 1000195 | Lever | 1 | 1 |
| 6 | 1000982 | Wire - Flex Cable | 1 | 1 |
| 7 | 1000986 | Ratchet | 7 | 3 |
| 8 | 1000998 | Sheath | 1 | 1 |
| 9 | 1001236 | Cotter Pin | 4 | 3 |
| 10 | 1000957 | Spring | 4 | 3 |
| 11 | 1000993 | Sheath | 1 | 1 |
| 13 | 1000193 | Lever | 1 | 1 |
| 14 | 1000102 | Safety Key | 1 | 1 |
| 15 | 1001010 | Wire Rope | 1 | 1 |
| 16 | 1000103 | Plate - Safety Key | 1 | 1 |
| 17 | 1000724 | Spacer - Safety Key | 1 | 1 |
| 18 | 1000107 | Bracket - Safety Key Mount | 1 | 1 |
| 19 | 1001157 | Switch - Safety Key | 1 | 1 |
| 20 | 1001094 | End Clamp | 1 | 1 |
| 21 | 1001000 | Wire - Flex Cable | 2 | 2 |
| 22 | 1000994 | Sheath | 1 | 1 |
| 23 | 1000939 | Spring | 2 | 2 |
| 24 | 1000183 | Lever | 1 | 1 |
| 25 | 1000442 | Spacer | 1 | 1 |
| 26 | 1000798 | Bearing | 2 | 2 |
| 27 | 1000847 | Drive Wheel | 1 | 1 |
| 28 | 1000443 | Spacer | 1 | 1 |
| 29 | 1001213 | Retainer - Snap Ring | 1 | 1 |
| 30 | 1000854 | Chain - Roller | 1 | 1 |
| 31 | 1000857 | Connector Link - Roller Chain | 1 | 1 |
| 32 | 1000557 | Pinion | 1 | 1 |
| 33 | 1000495 | Screw - Pivot | 1 | 1 |
| 34 | 1001095 | Clamp | 2 | 2 |
| 35 | 1000583 | Pulley | 1 | 1 |
| 36 | 1000807 | Bearing - Flange | 4 | 4 |
| 37 | 1000200 | Cover - Side | 1 | 1 |
| 38 | 1001042 | Rubber Ring | 2 | 2 |
| 39 | 1001043 | Pivot | 2 | 2 |
| 40 | 1001041 | Receptacle | 2 | 2 |
| 41 | 1000256 | Safety Lever | 1 | 1 |
| 42 | 1000474 | Spacer | 1 | 1 |
| 43 | 1000705 | Handle | 1 | 1 |
| 44 | 1000258 | Lever's Stop | 1 | 1 |
| 45 | 1000196 | Belt-guide | 1 | 1 |
| 46 | 1000968 | Spring | 1 | 1 |
| 47 | 1000942 | Spring | 1 | 1 |
| 48 | 1000255 | Bracket - Safety Lever | 1 | 1 |
| 49 | 1000658 | Bumper | 1 | 1 |
| 50 | 1000491 | Advancing Roller | 1 | 1 |

DIAGRAM 3

WS 35

96/10/10

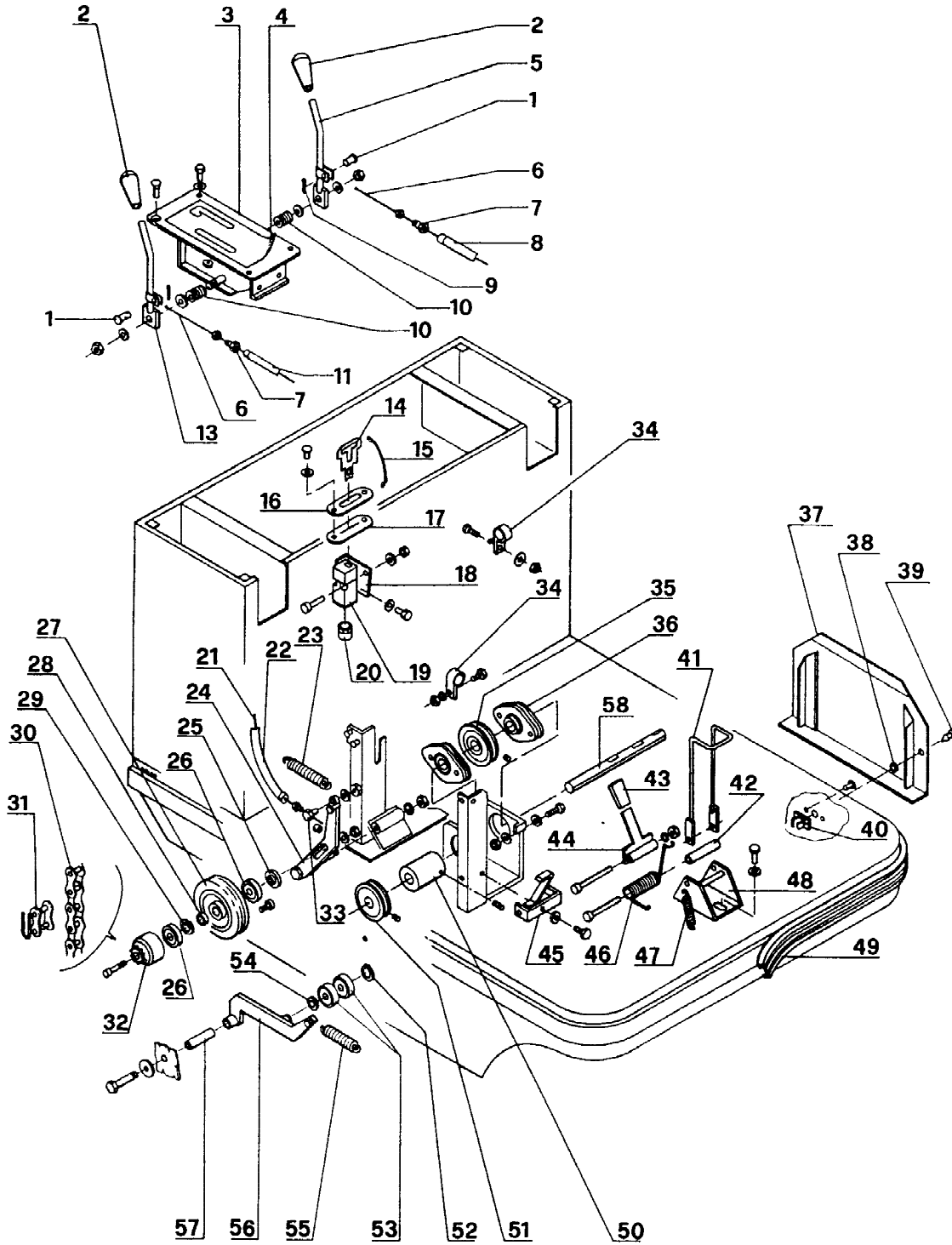


DIAGRAM 3**WS35**

96/10/10

| | | | | |
|----|---------|----------------------|---|---|
| 51 | 1000582 | Pulley | 1 | 1 |
| 52 | 1001208 | Ring | 2 | 1 |
| 53 | 1000785 | Bearing | 4 | 2 |
| 54 | 1001193 | Washer | 2 | 2 |
| 55 | 1000951 | Spring | 2 | 2 |
| 56 | 1000318 | Lever - Belt Tension | 1 | 1 |
| 57 | 1000441 | Bushing - Pivot | 1 | 1 |
| 58 | 1000516 | Shaft | 1 | 1 |

DIAGRAM 4

WS 35

96/10/10

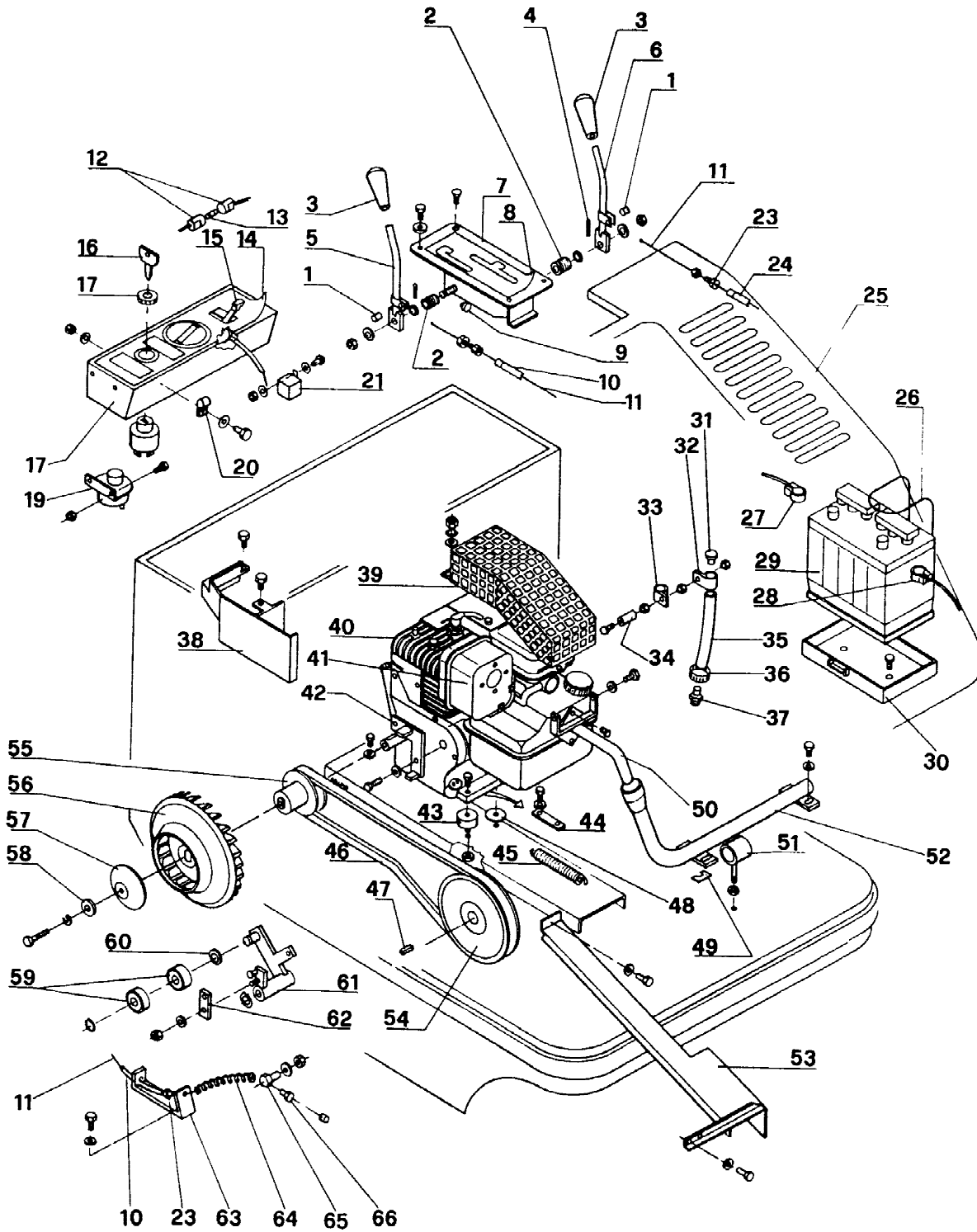


DIAGRAM 4

WS35

96/10/10

| Ref # | Part # | Description | Briggs & Stratton Qty | Electric Qty |
|-------|---------|----------------------------|-----------------------|--------------|
| 1 | 1000493 | Pin | 4 | 3 |
| 2 | 1000957 | Spring | 4 | 3 |
| 3 | 1000693 | Handle | 4 | 3 |
| 4 | 1001236 | Cotter Pin | 4 | 3 |
| 5 | 1000193 | Lever | 2 | 2 |
| 6 | 1000194 | Lever - Shaker | 1 | 1 |
| 7 | 1000191 | Instruments Panel | 1 | - |
| 8 | 1000898 | Decal | 1 | - |
| 9 | 1000694 | Rubber Plug | 4 | 3 |
| 10 | 1000999 | Sheath | 1 | - |
| 11 | 1000982 | Wire - Flex Cable | 1 | - |
| 12 | 1001117 | Fuse Box | 1 | - |
| 13 | 1001116 | Fuse | 1 | - |
| 14 | 1000896 | Decal - Instrument Panel | 1 | - |
| 15 | 1000976 | Handle - Throttle | 1 | - |
| 16 | 1001153 | Key Set - Ignition | 1 | - |
| 17 | 1001154 | Switch - Ignition | 1 | - |
| 18 | 1000198 | Instruments Panel | 1 | - |
| 19 | 1001146 | Switch - Solenoid | 1 | - |
| 20 | 1001095 | Clamp | 2 | - |
| 21 | 1001149 | Microswitch | 1 | - |
| 23 | 1000986 | Ratchet | 7 | 3 |
| 24 | 1000996 | Sheath | 1 | 1 |
| 25 | 1000650 | Cover - Gray | R | - |
| 26 | 1000696 | Rubber Ring | 1 | - |
| 27 | 1001131 | Battery Lead - Negative | 1 | - |
| 28 | 1001130 | Battery Lead - Positive | 1 | - |
| 29 | 1001080 | Battery | 1 | - |
| 30 | 1000187 | Battery Tray | 1 | - |
| 31 | 1000665 | Rubber Plug | 1 | - |
| 32 | 1001100 | Clamp | 1 | - |
| 33 | 1001108 | Clamp | 1 | - |
| 34 | 1000444 | Spacer | 1 | - |
| 35 | 1000695 | Hose - Oil Drain | 1 | - |
| 36 | 1001016 | Clamp | 1 | - |
| 37 | 1000390 | Adapter - Hose Nipples | 1 | - |
| 38 | 1000210 | Bracket - Air Shroud | 1 | - |
| 39 | 1000206 | Cover - Engine Protection | 1 | - |
| 40 | 1000932 | Engine - Briggs & Stratton | 1 | - |
| 41 | 1000935 | Muffler | 1 | - |
| 42 | 1000197 | Belt-Guide | 1 | - |
| 43 | 1000697 | Isolator - Engine Mount | 4 | - |
| 44 | 1000321 | Adjuster | 1 | - |
| 45 | 1000951 | Spring | 1 | - |
| 46 | 1000826 | Belt | 1 | - |
| 47 | 1001224 | Key | 1 | - |
| 48 | 1001194 | Washer | 4 | - |
| 49 | 1000073 | Shim | 2 | - |
| 50 | 1000205 | Exhaust Pipe | 1 | - |

DIAGRAM 4

WS 35

96/10/10

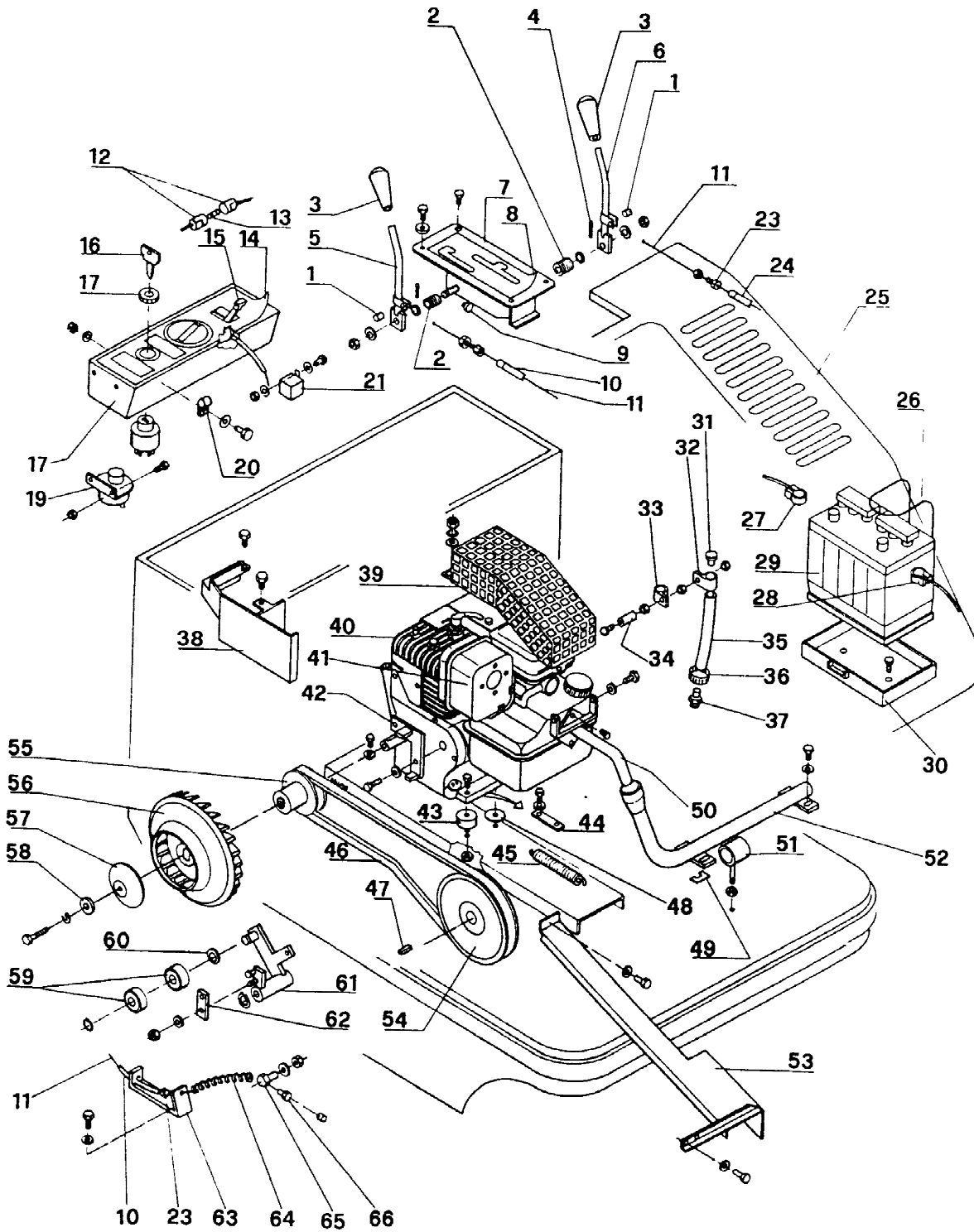


DIAGRAM 4

WS35

96/10/10

| | | | | |
|----|---------|--------------------------|---|---|
| 51 | 1000209 | Pipe Support | 1 | - |
| 52 | 1000369 | Exhaust Pipe | 1 | - |
| 53 | 1000260 | Cover - Belt | 1 | - |
| 54 | 1000595 | Pulley | 1 | - |
| 55 | 1000515 | Pulley | 1 | - |
| 56 | 1000661 | Vacuum Fan | 1 | - |
| 57 | 1000609 | Disc - Fan Mount | 1 | - |
| 58 | 1000382 | Washer | 1 | - |
| 59 | 1000785 | Bearing | 4 | 2 |
| 60 | 1001193 | Washer | 2 | 1 |
| 61 | 1000317 | Bracket - Belt Tensioner | 1 | - |
| 62 | 1000066 | Plate | 1 | - |
| 63 | 1000069 | Plate | 1 | - |
| 64 | 1000955 | Spring | 1 | - |
| 65 | 1000492 | Screw - Spring Mount | 1 | - |

DIAGRAM 6

WS 35

96/10/10

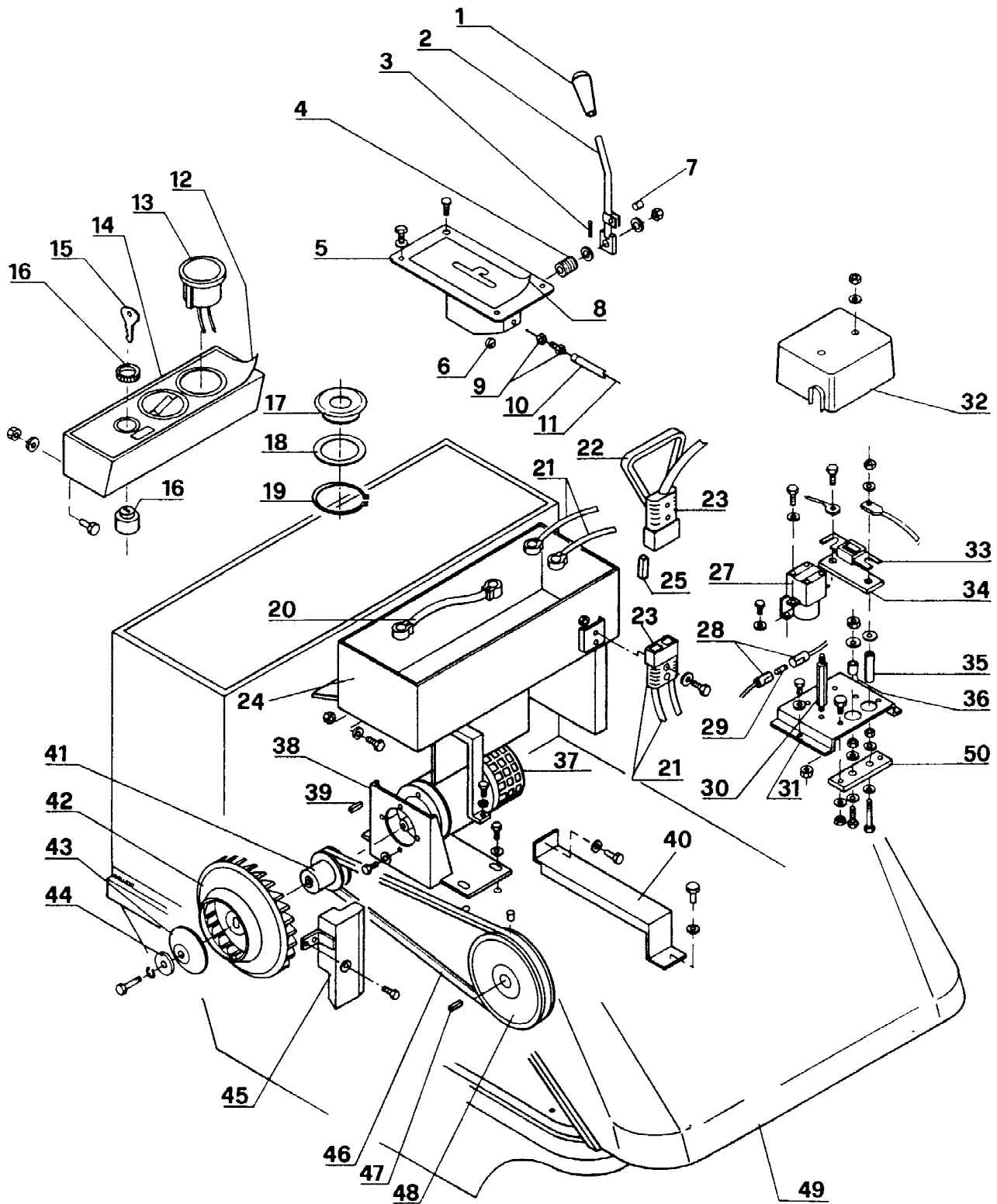


DIAGRAM 6

WS35

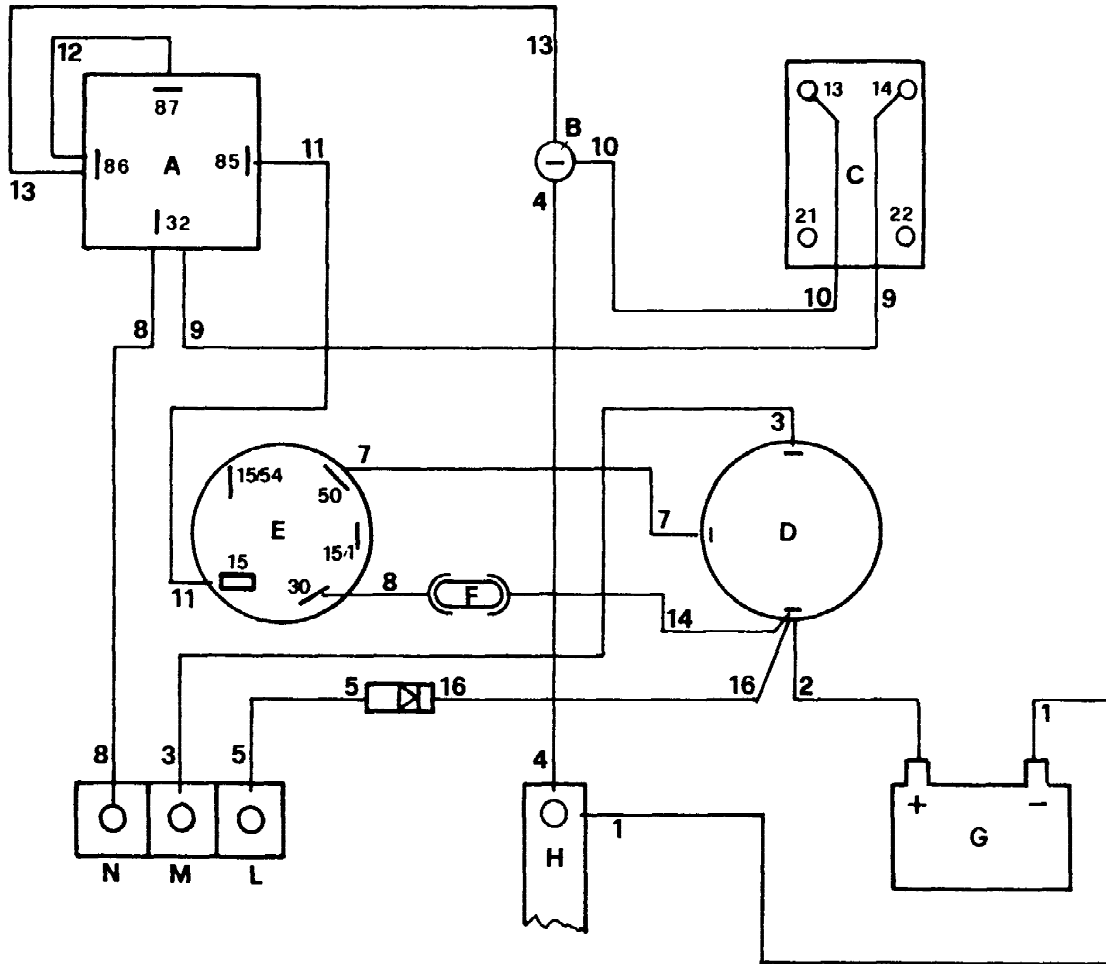
97/6/30

| Ref # | Part # | Description | Briggs & Stratton Qty | Electric Qty |
|-------|---------|----------------------------|-----------------------|--------------|
| 1 | 1000693 | Handle | 4 | 3 |
| 2 | 1000194 | Lever | 1 | 1 |
| 3 | 1001236 | Cotter Pin | 4 | 3 |
| 4 | 1000957 | Spring | 4 | 3 |
| 5 | 1000207 | Instruments Panel | - | 1 |
| 6 | 1000694 | Rubber Plug | 4 | 3 |
| 7 | 1000493 | Pin | 4 | 3 |
| 8 | 1000899 | Decal - Brooms | - | 1 |
| 9 | 1000986 | Ratchet | 7 | 3 |
| 10 | 1000996 | Sheath | 1 | 1 |
| 11 | 1000982 | Wire - Flex Cable | 1 | 1 |
| 12 | 1000895 | Decal - Instruments | - | 1 |
| 13 | 1001140 | Battery Meter | - | 1 |
| 14 | 1000199 | Instruments | - | 1 |
| 15 | 1001153 | Key Set - Ignition | 1 | 1 |
| 16 | 1001154 | Switch - Ignition | 1 | 1 |
| 17 | 1000698 | Handle | - | 1 |
| 18 | 1000717 | Rubber Ring | - | 1 |
| 19 | 1001212 | Ring | - | 1 |
| 20 | 1001085 | Battery Wiring | - | 1 |
| 21 | 1001084 | Wiring | - | 1 |
| 22 | 1001122 | Handle - Battery Connector | - | 1 |
| 23 | 1001121 | Connector - Battery Cable | - | 2 |
| 23 | 640080 | Connector (EUROPEAN NORMS) | - | 2 |
| 24 | 1000208 | Battery Tray | - | 1 |
| 25 | 1001124 | Polarizer | - | 1 |
| 27 | 1001144 | Switch - Solenoid | - | 1 |
| 28 | 1001117 | Fuse Box | - | 1 |
| 29 | 1001092 | Fuse | - | 1 |
| 30 | 1000421 | Spacer | - | 2 |
| 31 | 1000070 | Bracket - Electric Mount | - | 1 |
| 32 | 1000628 | Cover - Electric Switch | - | 1 |
| 33 | 1001118 | Fuse | - | 1 |
| 34 | 1000762 | Bakelite Base | - | 1 |
| 35 | 1000071 | Spacer | - | 1 |
| 36 | 1000072 | Spacer | - | 1 |
| 37 | 1001072 | Motor - Electric | - | 1 |
| 38 | 1000204 | Bracket - Motor Mount | - | 1 |
| 39 | 1001219 | Key | - | 1 |
| 40 | 1000108 | Cover - Belt | - | 1 |
| 41 | 1000518 | Pulley | - | 1 |
| 42 | 1000661 | Vacuum Fan | 1 | 1 |
| 43 | 1000609 | Disc - Fan Mount | 1 | 1 |
| 44 | 1000382 | Washer | 1 | 1 |
| 45 | 1000211 | Shroud - Air Deflector | - | 1 |
| 46 | 1000827 | Belt | - | 1 |
| 47 | 1001224 | Key | 1 | 1 |
| 48 | 1000596 | Pulley | 1 | 1 |
| 49 | 1000651 | Cover - Gray | - | - |
| 50 | 1000757 | Bakelite Base | - | 1 |

DIAGRAM 7

WS 35

96/10/10



WS35 B&S

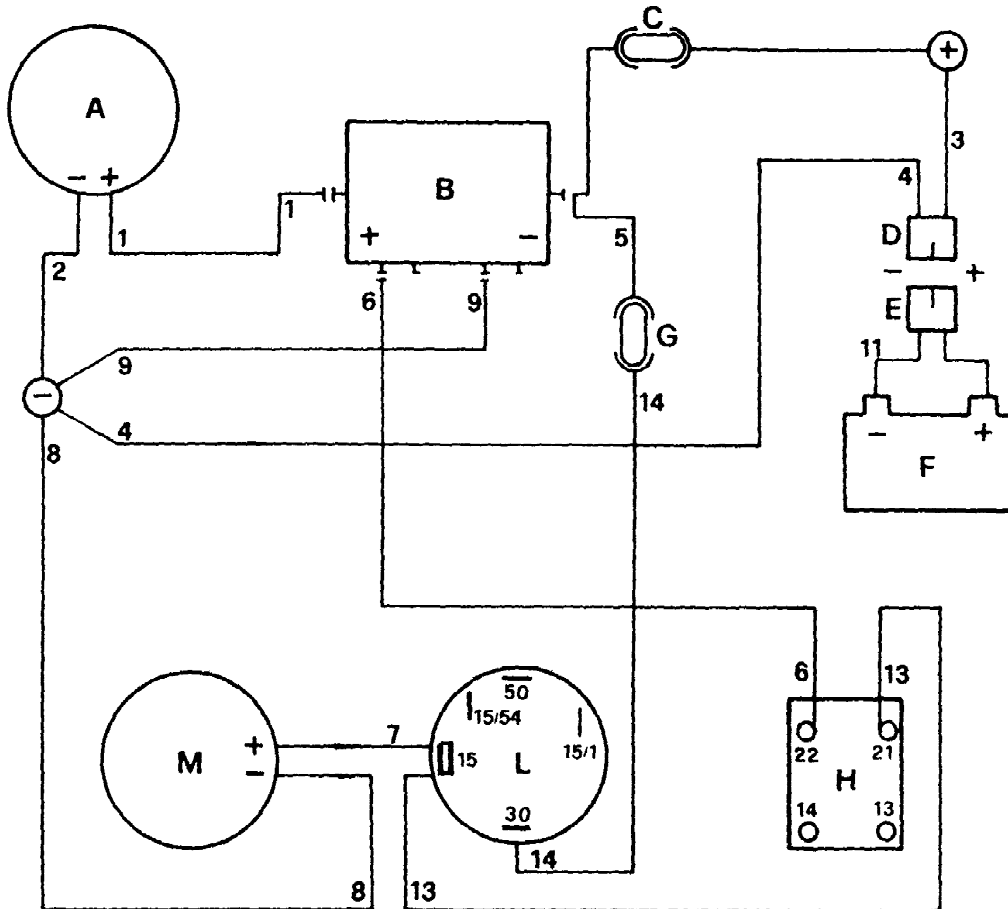
| WIRING DIAGRAM | |
|----------------|------------------------|
| A | Microswitch |
| B | Negative pole |
| C | Safety switch* |
| D | Electromagnetic switch |
| E | Switch |
| F | Fuse 8A |
| G | Battery 12V |
| H | Negative pole |
| L | Generator's outlet |
| M | Starter |
| N | Switching off |
| O | Diode 3A |

* OPTIONAL

DIAGRAM 9

WS 35

96/10/10



WS 35 E

WIRING DIAGRAM

- A** Electric engine 12v
- B** Electromagnetic switch
- C** Fuse 80A
- D** Mobile connector
- E** Steel connector
- F** Battery
- G** Fuse 16A
- H** Safety switch *
- L** Switch
- M** Battery charge indicator

* OPTIONAL